

JS

IP 67 - Rotazione 90°
Funzione On / Off
IP 67 - Rotation 90°
On / Off Function



CARATTERISTICHE / FEATURES

Coppia - Torque

35 Nm - 50 Nm - 140 Nm

Inserzione
Duty Cycle

25% 220 VAC - 100% 24 VAC/DC
25% 220 VAC - 100% 24 VAC/DC

Campo Temperatura
Temperatura Range

-10 ... +60 °C

Grado Protezione
Protection Degree

IP 67

Custodia - Housing
Coperchio - Cover

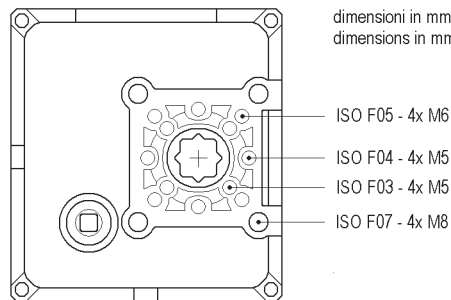
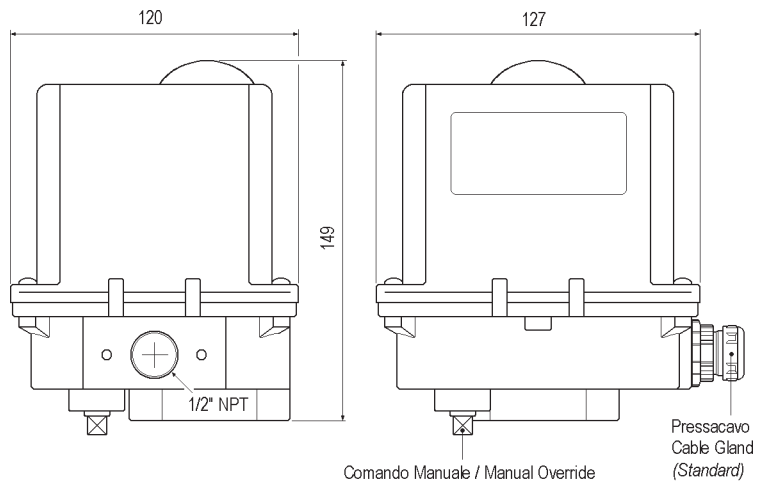
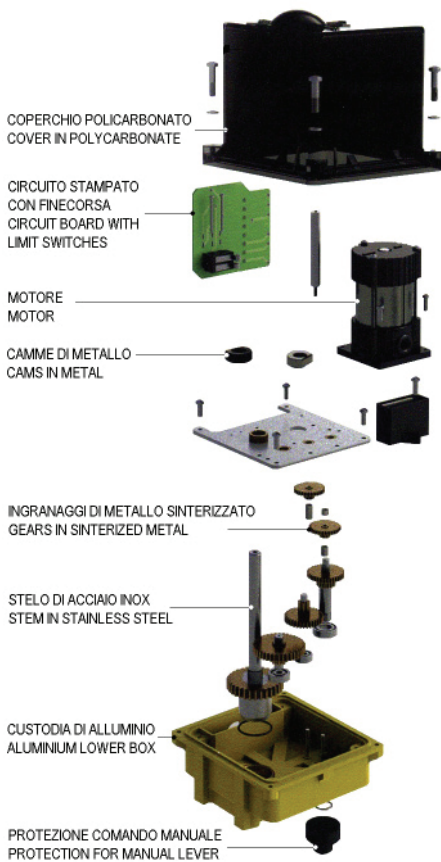
Alluminio / Aluminium
Policarbonato / Polycarbonate

Ingranaggi
Gears

Metallo Sinterizzato
Metal Sinterized

2 Fine corsa Elettromeccanici ausiliari Standard
2 Auxiliary limit Switch as Standard

Comando Manuale di Emergenza Standard
Manual Override as Standard



DATI TECNICI / TECHNICAL DATA

25% Duty Cycle Standard ON/OFF 220 Vac - 240 Vac

Tipo Model	Copia Torque	Fase Phase	Tensione Voltage	Potenza Assorbita Power Consumption	Tempo di Manovra (90°) Cycle Time (90°)		Duty Cycle *	Consumo Corrente Current Consumption		Peso Weight
			220 VAC		50 Hz	60 Hz		200 - 240 Vac		
				240 VAC				50 Hz	60 Hz	
JS01.35.A7 TC	34 NM	1-PH	220 VAC	10 W	12 sec	10 sec	25%	0.29 A	0.38 A	1.7 KG
JS02.49.A7 TC	49 NM	1-PH	240 VAC	15 W	12 sec	10 sec	25%	0.4 A	0.5 A	1.8 KG
JS03.167.A7 TC	167 NM	1-PH 3-PH		25 W	10 sec	8 sec	50%	0.69 A	0.72 A	4.4 KG

100% Duty Cycle Standard ON/OFF 24 Vac / Vdc

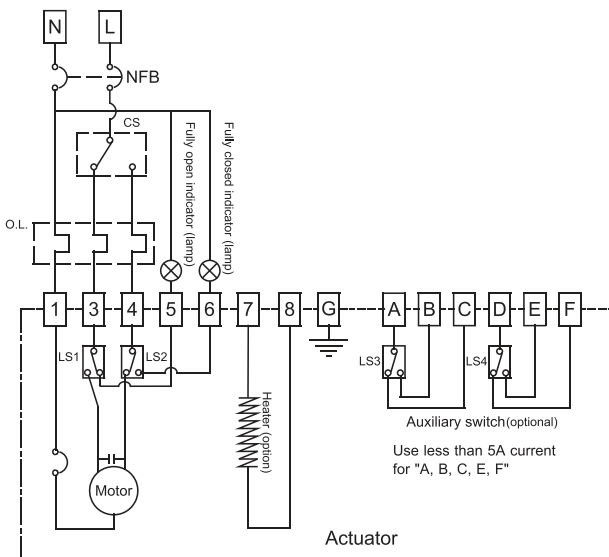
Tipo Model	Copia Torque	Tensione Voltage	Potenza Assorbita Power Consumption	Tempo di Manovra (90°) @60 Hz	Duty Cycle *	Consumo Corrente Current Consumption	Peso Weight
		24 VAC		Cycle Time (90°) @60 Hz		24Vac/24Vdc	
			24 VDC				
JS01.1.35.A2 TC	35 NM	24 VDC	7 W	11 to 16 sec	100%	1.5 A	2.0 KG
JS02.50.A2 TC	50 NM		7 W	12 to 18 sec	100%	1.5 A	2.2 KG
JS03.140.A2 TC	140 NM		25 W	8 to 18 sec	100%	3 A	4.4 KG

(*) The definition of DUTY CYCLE is in accordance with IEC60034-S4 Duty Type.

(*) The definition of DUTY CYCLE is in accordance with IEC60034-S4 Duty Type.

SCHEMA ELETTRICO PER 220 VAC

Wiring Diagram for 220 VAC



SCHEMA ELETTRICO PER 24 VAC / DC

Wiring Diagram for 24 VAC / DC

